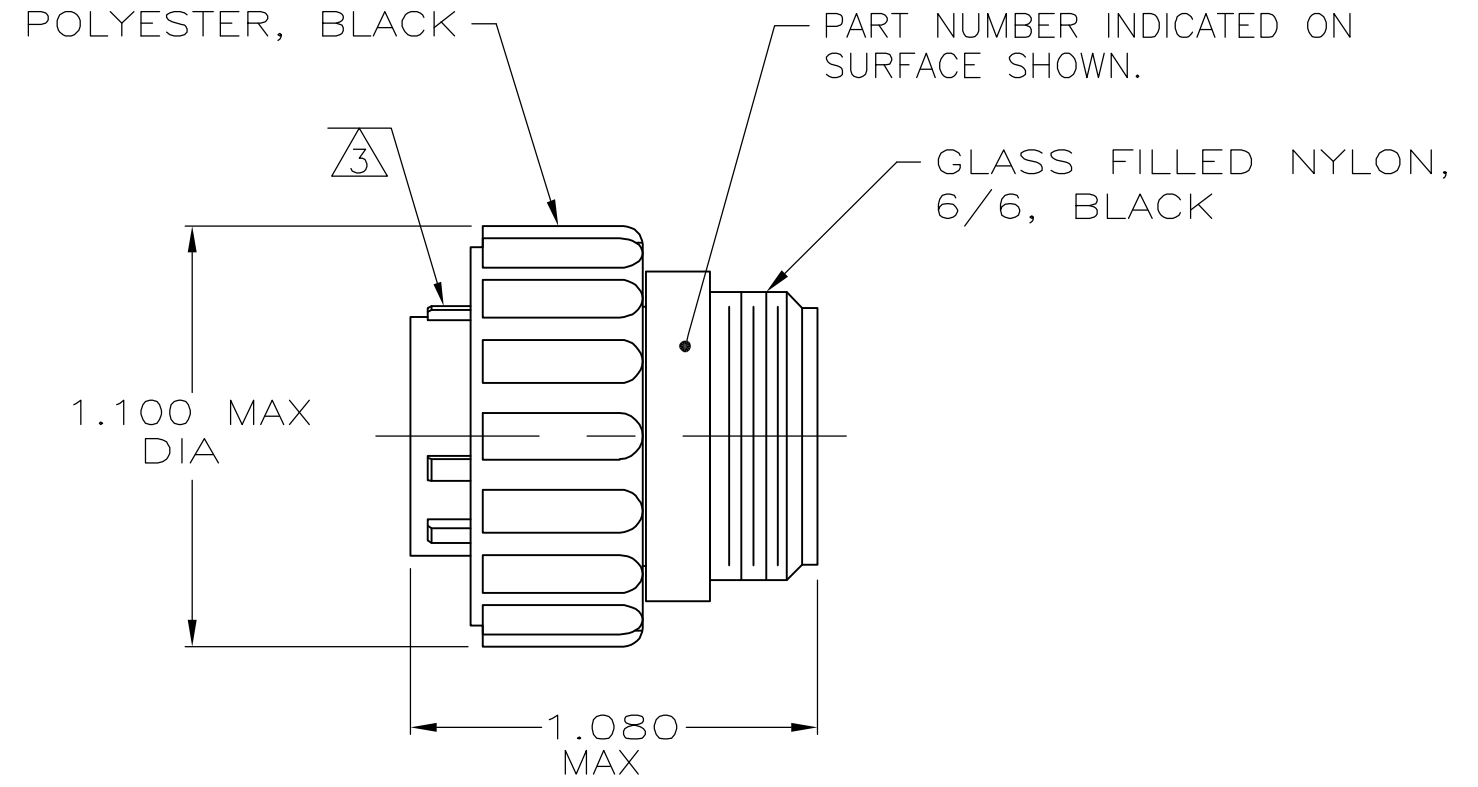
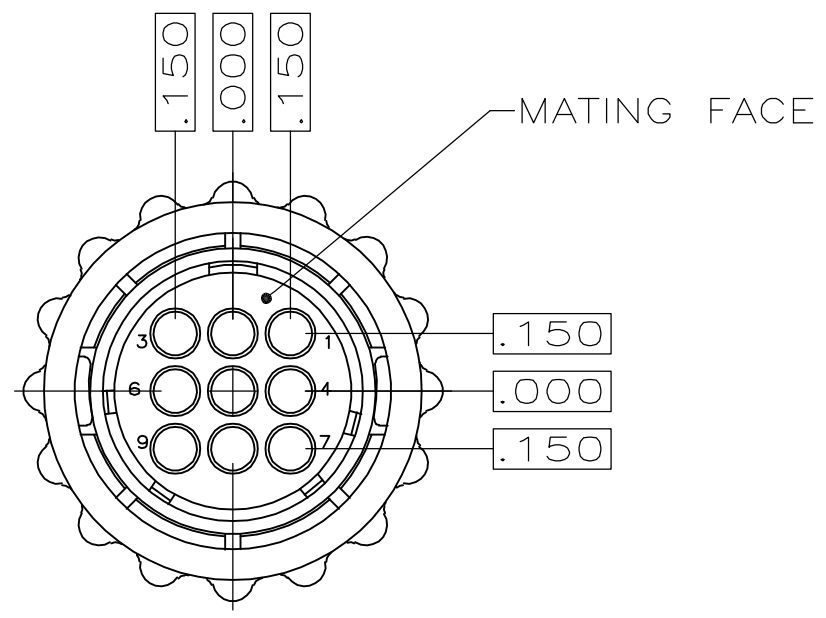


THIS DRAWING IS UNPUBLISHED. RELEASED FOR PUBLICATION
 © COPYRIGHT - BY TYCO ELECTRONICS CORPORATION. ALL RIGHTS RESERVED.

LOC	DIST	REVISIONS					
FT	0	P	LTR	DESCRIPTION	DATE	DWN	APVD
			K	REVISED PER ECO-06-27952	11/30/06	SS	SH

- CONTACT CAVITIES IDENTIFIED BY CHARACTERS ON FRONT AND REAR FACES OF CONNECTOR.
 - THIS PART WILL ACCEPT MULTIMATE SOCKET CONTACTS.
- ③ WHITE DOT OVER MAJOR KEY.
 ④ PRELIMINARY PART NUMBER.



④	③	STANDARD	206708-3
-	-	SMALL PACK	206708-2
-	-	STANDARD	206708-1
NOTES	PACKAGING	PART NUMBER	

THIS DRAWING IS A CONTROLLED DOCUMENT		DWN	S.RIDGLEY	BG	7/31/90	Tyco Electronics Corporation Harrisburg, Pa 17105-3608	
DIMENSIONS: INCHES		CHK	R.STONE		4-26-91		
TOLERANCES UNLESS OTHERWISE SPECIFIED:		APVD	-	-	-	NAME	
0 PLC ± - 1 PLC ± - 2 PLC ± - 3 PLC ± - 4 PLC ± - ANGLES ± -		PRODUCT SPEC		-		-	
MATERIAL		APPLICATION SPEC		-		-	
FINISH		WEIGHT		-		-	
CUSTOMER DRAWING				SCALE	2:1	SHEET	1 OF 1
				REV	K		
		SIZE	A3	CAGE CODE	00779	DRAWING NO	C-206708
		RESTRICTED TO		-			